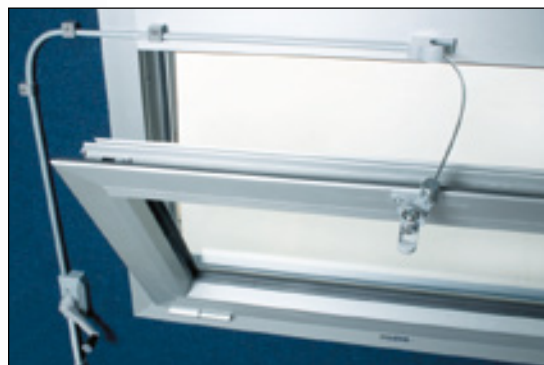


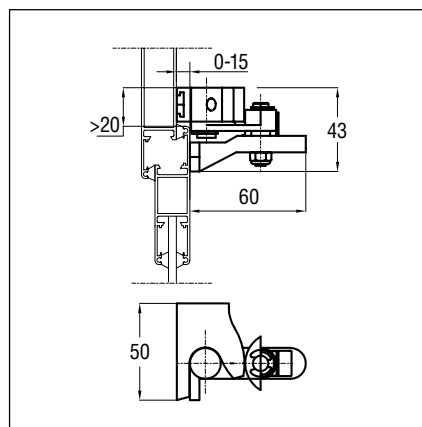
LOCKING OPENERS

Opening mechanisms for bottom hinged windows

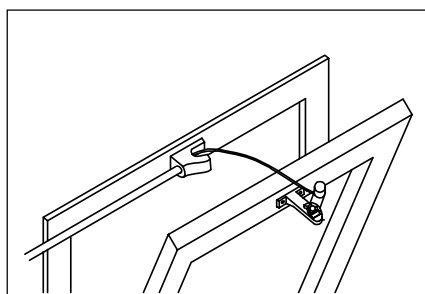


PART No.	WHITE	RAL 9010	30754Y
	BLACK	RAL 9005	37156M
	GREY	RAL 9006	37239Q

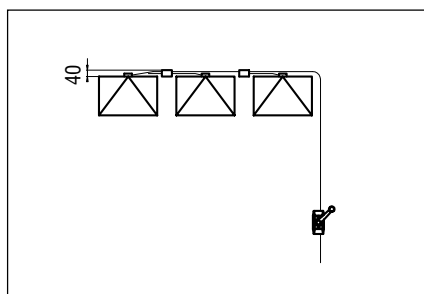
- It can only open bottom hinged windows which not require pushing force for the opening.
- Minimum size; the needed space for the installation is 20 mm from the vent external limit
- Maximum opening stroke: 25 cm; it can be adjusted on the end stroke spring placed in correspondence of the control operator.
- For windows with height inferior to 50 cm it is necessary to reduce the stroke to 1/3 of the window height.
- It is not necessary to work the conduit.
- In systems with more windows it is necessary to use rotary junction boxes to transmit the cable movement from the main line to the auxiliary ones.
- For windows wider than 1,5 m it is necessary to apply two or more thrust points.



Locking opener dimensions

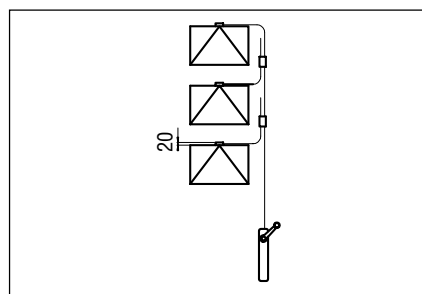


Examples of single installation



Examples of multiple installation

The dimension are measured from the external limits of the vent and show the minimum necessary space



The instructions for a safe installation are included in the section "SECURITY WARNINGS".
On bottom hinged windows for safety reasons always install side checks.